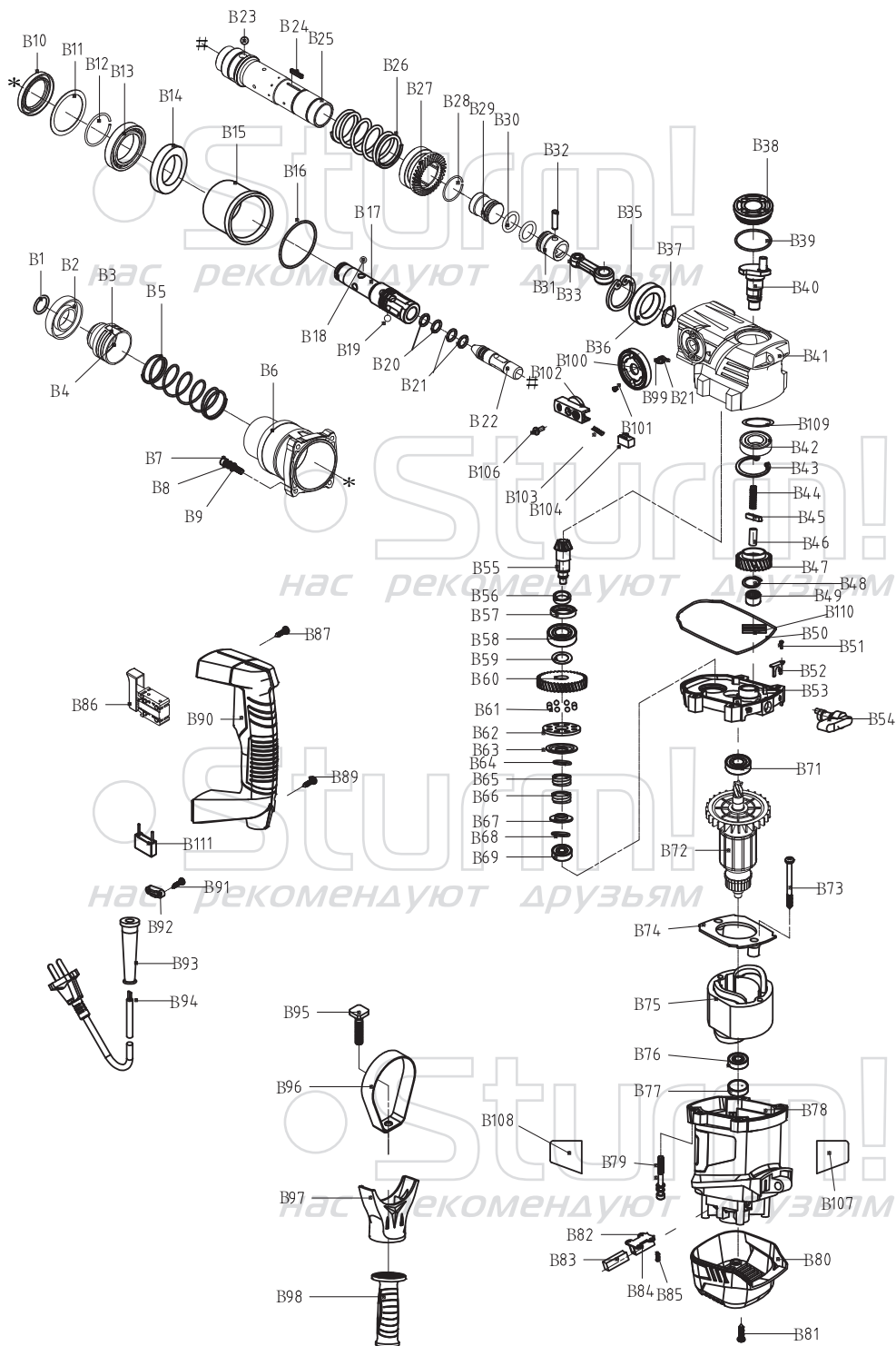


RH2514



NO.	DESCRIPTION	NO.	DESCRIPTION
B1	retaining ring 18*2	B55	bevel gear
B2	front cap	B56	swasher 5
B3	collar assembly	B57	oal ring
B4	collar assembly	B58	bearing 6002
B5	spring	B59	thin washer 20*14*0.5
B6	spindle sleeve	B60	gear 39
B7	screw	B61	steel ball 5
B8	spring washer Ø5	B62	Releasing fixed palte
B9	flat washer Ø5	B63	Releasing protable palte
B10	seal ring 51*35*6	B64	External retaining ring 12.5*1
B11	big washer 45*54.5*1	B65	Releasing internal spring
B12	retaining ring 31.5*2	B66	Releasing external spring
B13	bearing 61907	B67	Spring seat
B14	rubber sleeve	B68	Spring retainer ring 8.8*1
B15	plastic sleeve	B69	Bearing 627
B16	O ring 55*3	B71	Bearing 6001
B17	spindle sleeve	B72	Armature
B18	steel ball 7.14	B73	Screw ST 5*65
B19	steel ball 7.5	B74	Baffle
B20	O ring 22*2	B75	Stator
B21	O ring 11*2	B76	Bearing 608
B22	striker	B77	bearing sleeve
B23	steel ball Ø7.938	B78	motor housing
B24	flute key 3*3*18	B79	Screw M5x45
B25	cylinder	B80	Rear cover
B26	big spring 40.5*3.5*76	B81	Srew ST 4*20
B27	clutch gear	B82	brush holder
B28	retaining ring 28*1.8	B83	carbon brush
B29	hammer	B84	Brush spring
B30	O ring 20X3.1	B85	Srew ST 3*14
B31	piston	B86	Switch
B32	piston 6*24.6	B87	Srew ST 4*30
B33	Joint lever	B89	Screw ST 4.2X14
B34	N/A	B90	Right Handle
B35	retaining ring 47	B91	Screw ST 4.2X16
B36	oil bearing	B92	Cable pressplate
B37	washer	B93	Cable Sheath
B38	oil seal cover	B94	Power cord
B39	O ring 37.5*2	B95	Square Bolt M8X25
B40	eccentric shaft	B96	HOOP Block
B41	gearcase	B97	supporting bracket
B42	bearing 6003	B98	Auxiliary handle
B43	retaining ring Ø35	B99	Knob
B44	spring 5.6*32*1.2	B100	Knob seat
B45	flute key 4.8*4.8*22	B101	screw M4x10
B46	clutch pin	B102	Knob Pin
B47	gear 27	B103	Spring
B48	retaining ring 17	B104	Release Button
B49	needle bearing HK1210	B106	screw M4x15
B50	seal ring	B107	Logo lable
B51	screw M4*10	B108	Nameplate
B52	male tab	B109	washer 29*34*1
B53	diaphragm	B110	Supporting sleeve
B54	knob	B111	capacitor